

PRODUCT INFORMATION PACKET



Model No: E110167.00
Catalog No: E110167.00
1 HP General Purpose Motor, 1 phase, 1800 RPM, 115/230 V, 56 Frame, ODP
Single Phase ODP Motors



Regal and Leeson are trademarks of Regal Beloit Corporation or one of its affiliated companies.
©2020 Regal Beloit Corporation, All Rights Reserved. MC017097E





Nameplate Specifications

Output HP	1 Hp	Output KW	0.75 kW
Frequency	60 Hz	Voltage	115/230 V
Current	8.4/4.2 A	Speed	1725 rpm
Service Factor	1.15	Phase	1
Efficiency	82.6 %	Power Factor	93
Duty	Continuous	Insulation Class	B
Design Code	L	KVA Code	J
Frame	56	Enclosure	Drip Proof
Thermal Protection	Manual	Ambient Temperature	40 °C
Drive End Bearing Size	6203	Opp Drive End Bearing Size	6203
UL	Recognized	CSA	Y
CE	N	IP Code	22

Technical Specifications

Electrical Type	Capacitor Start Capacitor Run	Starting Method	Across The Line
Poles	4	Rotation	Selective Counterclockwise
Resistance Main	2.02 Ohms	Mounting	Rigid Base
Motor Orientation	Horizontal	Drive End Bearing	Ball
Opp Drive End Bearing	Ball	Frame Material	Rolled Steel
Shaft Type	NEMA 56	Overall Length	11.87 in
Frame Length	7.00 in	Shaft Diameter	0.625 in
Shaft Extension	1.88 in	Assembly/Box Mounting	F1 ONLY
Connection Drawing	005053.01	Outline Drawing	607-0269-700B

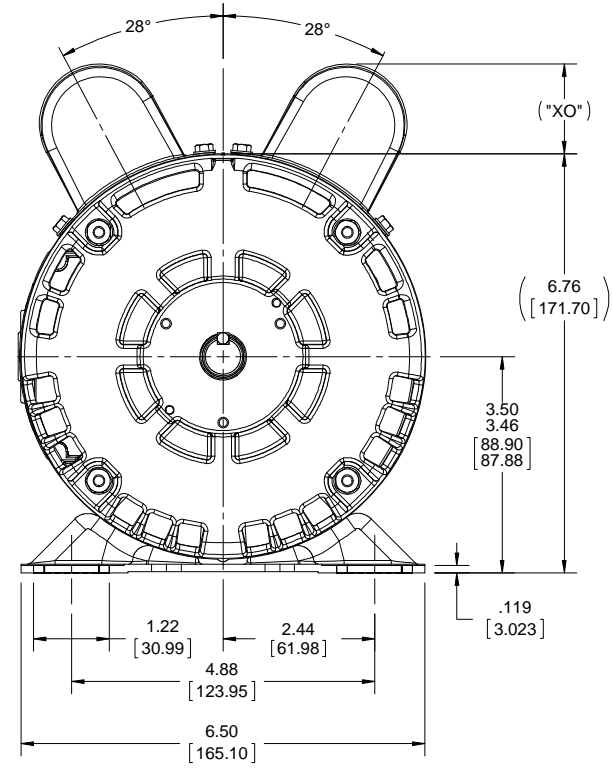
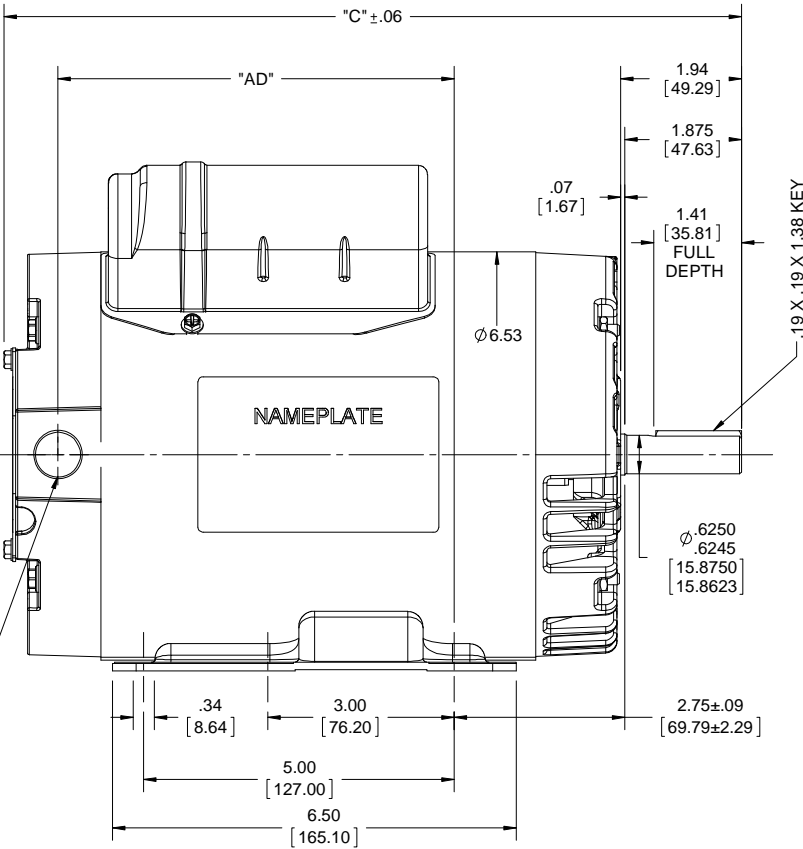
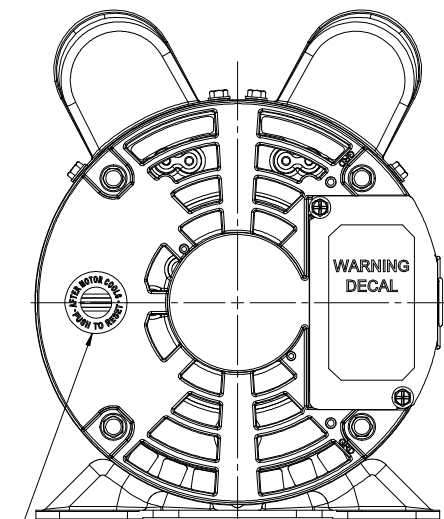
This is an uncontrolled document once printed or downloaded and is subject to change without notice. Date Created:14/10/2020

B

B

A

A



DASH	"C"	"AD"		
500	9.87	4.38		
550	10.37	4.88		
600	10.87	5.38	CAP. DASH	"XO"
650	11.37	5.88		
700	11.87	6.38	A	1.01
750	12.37	6.88	B	1.45
800	12.87	7.38	C	1.68

4

DRAWING REVISION B	REVISION BY AS	DATE 05/09/2018
ECO ECO-0144726	APPROVED BY AS	DATE 05/09/2018
ECO DESCRIPTION CAP. DASH TABLE VALUE CORRECTED.		
<small> PROPRIETARY AND CONFIDENTIAL INFORMATION - THIS DOCUMENT IS THE PROPERTY OF REGAL BELOIT AMERICA, INC. ("OWNER") AND CONTAINS OWNER'S PROPRIETARY INFORMATION. ANY PERSON, CORPORATION OR OTHER FIRM RECEIVING IT IS DEEMED, BY RECEIVING IT, TO AGREE THAT IT, AND/OR ANY PART OF IT, SHALL NOT BE DISCLOSED TO ANY PERSON, CORPORATION OR OTHER ENTITY, DUPLICATED, AND/OR USED, EXCEPT AS EXPRESSLY APPROVED IN WRITING IN ADVANCE BY OWNER. THIS DOCUMENT SHALL BE RETURNED TO OWNER UPON REQUEST. IT MAY BE SUBJECT TO CERTAIN RESTRICTIONS UNDER APPLICABLE EXPORT CONTROL LAWS AND REGULATIONS. </small>		

3

TOLERANCES UNLESS OTHERWISE SPECIFIED:			
DEC.	INCH	mm	ANGLE ±0.5°
.X	±0.1	[±2.5]	
.XX	±0.03	[±0.76]	
.XXX	±0.005	[±0.127]	
.XXXX	±0.0005	[±0.0127]	
REMOVE BURRS & BREAK SHARP EDGES: .003/.015 [0.076/.381] X 45° CORNER FILLETS: R.02 [51]			
MACHINED SURFACES: 125/3.2			
mm SHOWN IN [BRACKETS]			

2

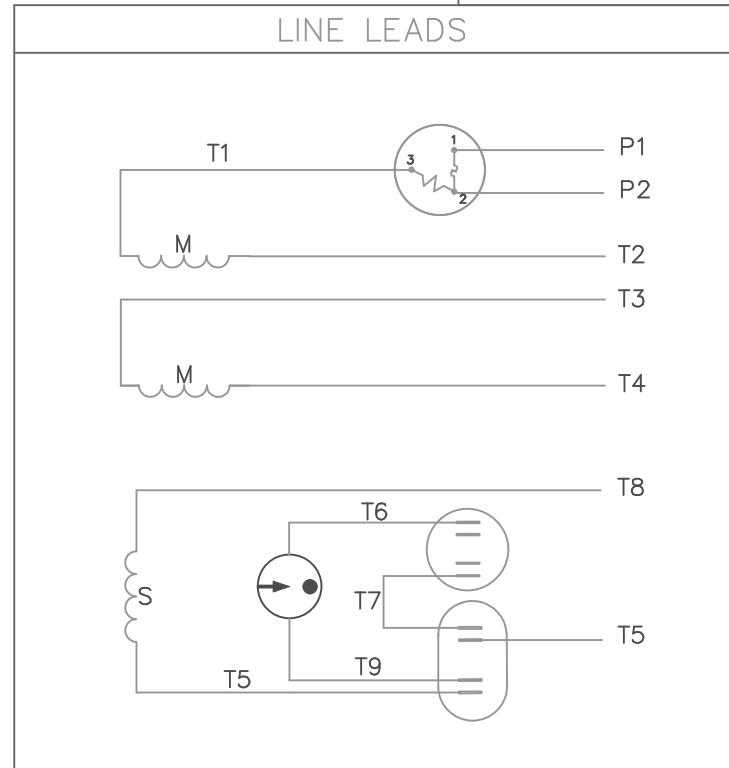
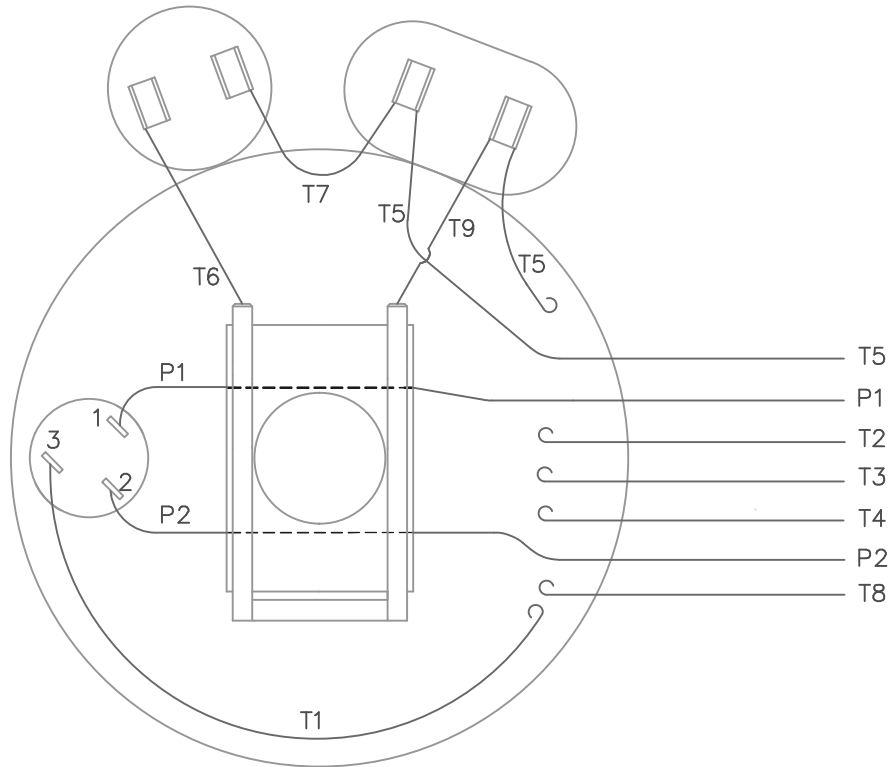
DRAWN BY PK	DATE 10/17/2016
APPROVED BY PK	DATE 10/17/2016
REFERENCE 032658.00	THIRD ANGLE PROJECTION

Regal Beloit America, Inc.	
DESCRIPTION OUTLINE DRIP PROOF - RIGID 56H FRAME	
MATERIAL	PROCESS/FINISH
SIZE B	DRAWING NUMBER 607-0269
SHEET 1 OF 1	

1

ORACLE
PART REV.
001

VIEW FROM OUTSIDE OF MOTOR AT SWITCH END.



	ROTATION FACING LEAD END	L1	L2	JOIN	INSULATE SEPARATELY
HIGH VOLT	C.C.W.	P1	T4 T5	T2,T3 T8	P2
	C.W.	P1	T4 T8	T2,T3 T5	P2
LOW VOLT	C.C.W.	P1	T2,T4 T5	P2,T3 T8	---
	C.W.	P1	T2,T4 T8	P2,T3 T5	---

				TOLERANCES UNLESS OTHERWISE SPECIFIED	
				DECIMALS	
				.00	± .01
				.000	± .005
18	REDRAWN ON CAD	DBT	05/27/97	.0000	± .0005
NO.	REVISION	BY	DATE	FRACTIONS	± 1/64
				ANGLES	± 1/2°
				INCH/MM	

LEESON ELECTRIC CORPORATION

DRAWN JRW 09/26/74 TITLE EXTERNAL WIRING DIAGRAM
CH'K'D. TYPE "K" W/PROTECTOR

APPR. TEM MAT'L. DECAL 004011 **BRF**

SCALE 1=1 REF. 005004 FINISH SIZE A DRAWING NO. 005053-01

FMF W-K 6341

THIS DRAWING IN DESIGN AND DETAIL IS OUR PROPERTY AND MUST NOT BE USED EXCEPT IN CONNECTION WITH OUR WORK ALL RIGHTS OF DESIGN AND INVENTION ARE RESERVED



CERTIFICATION DATA SHEET

1051 CHEYENNE AVE.
 GRAFTON, WI 53024
 PH. 262-377-8810

CONN. DIAGRAM: 005053.01

CATALOG #: E110167.00

OUTLINE: 607-0269-700B

MOUNTING: F1 ONLY

WINDING #: K634338 DR 3 B

TYPICAL MOTOR PERFORMANCE DATA

HP	KW	SYNC. RPM	F.L. RPM	FRAME	ENCLOSURE	KVA CODE	DESIGN
1	0.75	1800	1725	56	DP	J	L

PH	HZ	VOLTS	AMPS	START TYPE	DUTY	INSL	S.F.	AMB°C
1	60	115/230	8.4/4.2	ACROSS THE LINE	CONTINUOUS	B4	1.15	40

FULL LOAD EFF:	82.6	3/4 LOAD EFF:	76.5	1/2 LOAD EFF:	69.9	GTD. EFF	80	ELEC. TYPE
FULL LOAD PF:	93	3/4 LOAD PF:	87.8	1/2 LOAD PF:	82.6	CAP START CAP RUN		

F.L. TORQUE	LOCKED ROTOR AMPS	L.R. TORQUE	B.D. TORQUE	F.L. RISE°C
48 OZ-FT	66.8 / 33.4	149.76 OZ-FT	125.28 OZ-FT	47.8

SOUND PRESSURE @ 3 FT.	SOUND POWER	ROTOR WK^2	MAX. WK^2	SAFE STALL TIME	STARTS / HOUR	APPROX. MOTOR WGT
0 DBA	10 DBA	0 LB-FT^2	0 LB-FT^2	0 SEC.	0	33 LBS.

*** SUPPLEMENTAL INFORMATION ***

DE BRACKET TYPE	ODE BRACKET TYPE	MOUNT TYPE	ORIENTATION	SEVERE DUTY	HAZARDOUS LOCATION	DRIP COVER	SCREENS	PAINT
STANDARD	STANDARD	RIGID	HORIZONTAL	FALSE	NONE	FALSE	NONE	GREEN - LEESON WATTS AVER

BEARINGS DE ODE	GREASE	SHAFT TYPE	SPECIAL DE	SPECIAL ODE	SHAFT MATERIAL	FRAME MATERIAL
BALL BALL	POLYREX EM	STANDARD 56	NONE	NONE	1144 STRESS-PROOF (C-223)	ROLLED STEEL

THERMO-PROTECTORS				THERMISTORS	CONTROL	SPACE HEATERS
THERMOSTATS	PROTECTORS	WDG RTDS	BRG RTDS	NONE	FALSE	NONE
NONE	MANUAL	NONE	NONE	NONE	FALSE	NONE

* N

INVERTER TORQUE: NONE
 INV. HP SPEED RANGE: NONE

ENCODER: NONE
 NONE NONE
 NONE NONE PPR

O T

BRAKE: NONE NONE
 NONE P/N NONE
 NONE NONE

E S

FT-LB NONE V NONE HZ

S



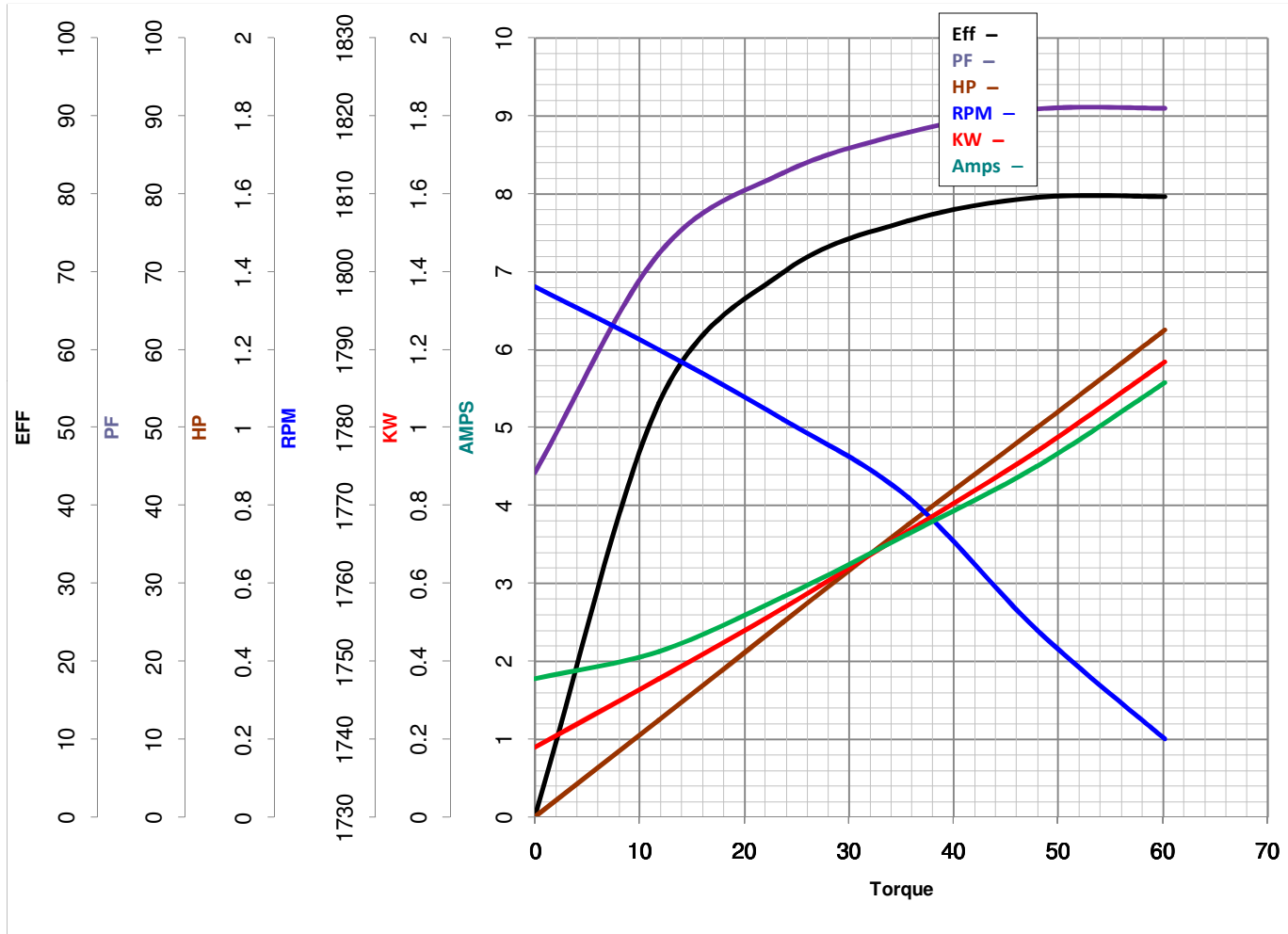
LEESON ELECTRIC CORPORATION
 TYPICAL PERFORMANCE CURVE for AC MOTOR

Model No E110167.00

Curve at 230 Volts HP 1.00 PHASE 1
60 HZ
1 HP VOLTS 115/230

Catalog No E110167.00

HZ 60 RPM 1725



Torque in Oz.Ft

FL TORQUE 48 Oz.Ft
 BD TORQUE 125.3 Oz.Ft
 LR TORQUE 149.8 Oz.Ft

FL AMPS 8.4/4.2
 PU TORQUE 107.2 Oz.Ft
 LR AMPS 33.4

WINDING K634338-3

Date 4/11/2018